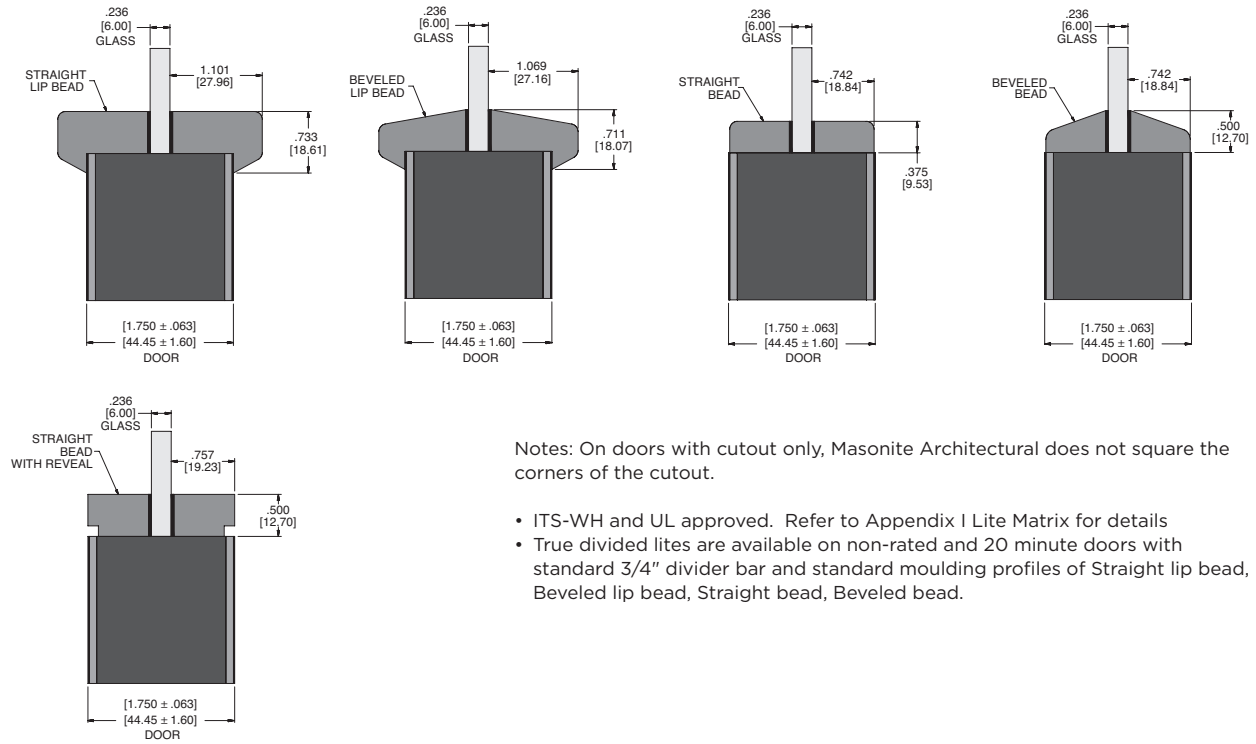


Standard Lite Mouldings

Lite mouldings are installed on one side and the other side is precut for field installation after glazing. Mouldings are set for 1/4" glass or upon request for different glass thickness. Masonite® Architectural will factory glaze upon request.

Wood Lite Kits for Non-Rated and 20-Minute Rated Doors

Follow Masonite Architectural's field glazing instructions.

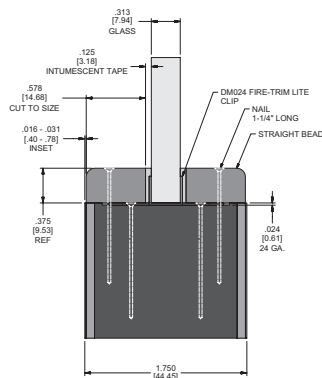


Notes: On doors with cutout only, Masonite Architectural does not square the corners of the cutout.

- ITS-WH and UL approved. Refer to Appendix I Lite Matrix for details
- True divided lites are available on non-rated and 20 minute doors with standard 3/4" divider bar and standard moulding profiles of Straight lip bead, Beveled lip bead, Straight bead, Beveled bead.

Wood Fire Trim System for 20-Minute Rated Doors

Fire-Trim lite mouldings are for use with 20-minute positive pressure doors and Structural Composite Lumber core neutral pressure doors.



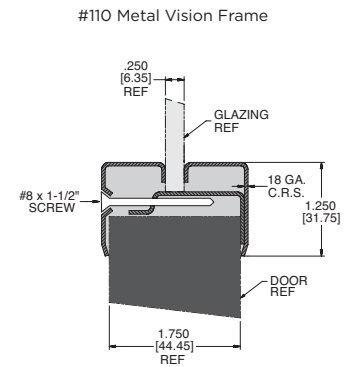
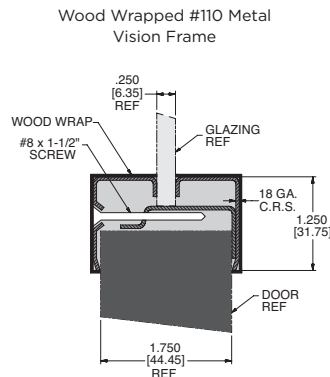
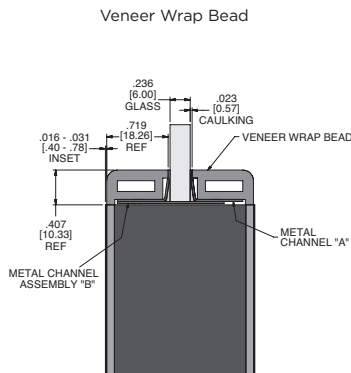
- Fire-Trim lite mouldings are set for 5/16" FireLite® Plus glass thickness. Masonite Architectural will factory glaze upon request.
- ITS-WH and UL approved with 5/16" FireLite® Plus glass only
- Wood bead profiles available: Straight bead, Beveled bead, Straight lip bead and Beveled lip bead

Non-lip moulding downset may vary due to allowable tolerance deviations in components.

Standard Lite Mouldings

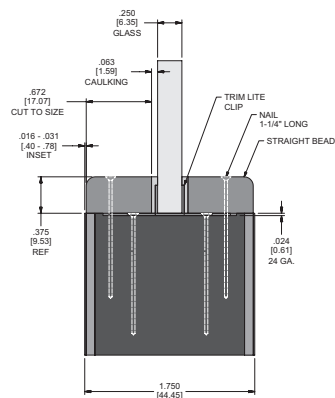
Veneer Wrap Bead, Wood Wrapped or Metal Lite Kits for 45, 60, 90-Minute Rated Doors

Metacaulk caulking required for non-combustible bead lites over 100 sq. in. (Metacaulk supplied by Masonite® Architectural)



- ITS-WH and UL approved. Refer to Appendix I for details.

Trim-Lite™ Moulding for 20-Minute Rated Doors Requiring Hose Stream (Caulking required)



- ITS-WH and UL approved
- Trim-Lite clips are required in the following instances:
 - For glass 1/2" up to 1" thick in cut-outs longer than 54"
 - Glass thicker than 3/4" and less than 1" regardless of cut-out size
 - Doors shipping to Canada
- Wood bead profiles available: Straight bead, Beveled bead, Straight lip bead and Beveled lip bead

Non-lip moulding downset may vary due to allowable tolerance deviations in components.