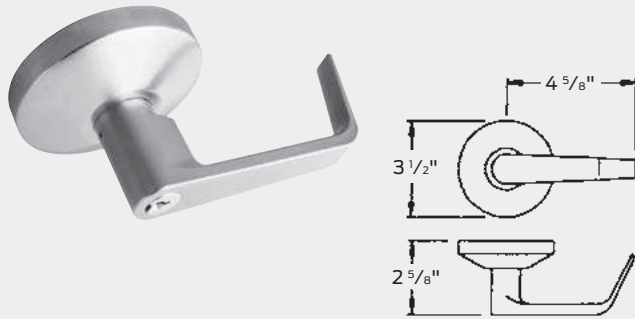


Designs and styles

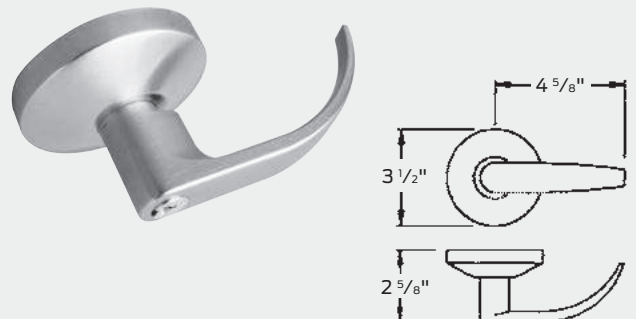
Lever styles

Levers are solid pressure cast zinc, finished to match mating parts. Roses are wrought brass or bronze installed over steel through-bolted rose inserts. Levers are secured by a spring-loaded retainer. Retainer in keyed lever cannot be depressed without key.

Dane (D)



Quantum (Q)



Abrasive strip levers

All levers are available with an abrasive strip along the inside length of the lever to identify entrances that may be hazardous to the handicapped. To order, change trim designation to: 6DA (Dane) or 6QU (Quantum) in trim section of order. Not available on 613 finish as abrasive strip will not hold.

Trim finishes chart

Description	ANSI No.	Available on
Bright brass	605	All trim
Satin brass	606	All trim
Satin bronze	612	All trim
Oil rubbed bronze	613	All trim
Bright chrome	625	All trim
Satin chrome	626	All trim