

MARSHFIELD-ALGOMA™

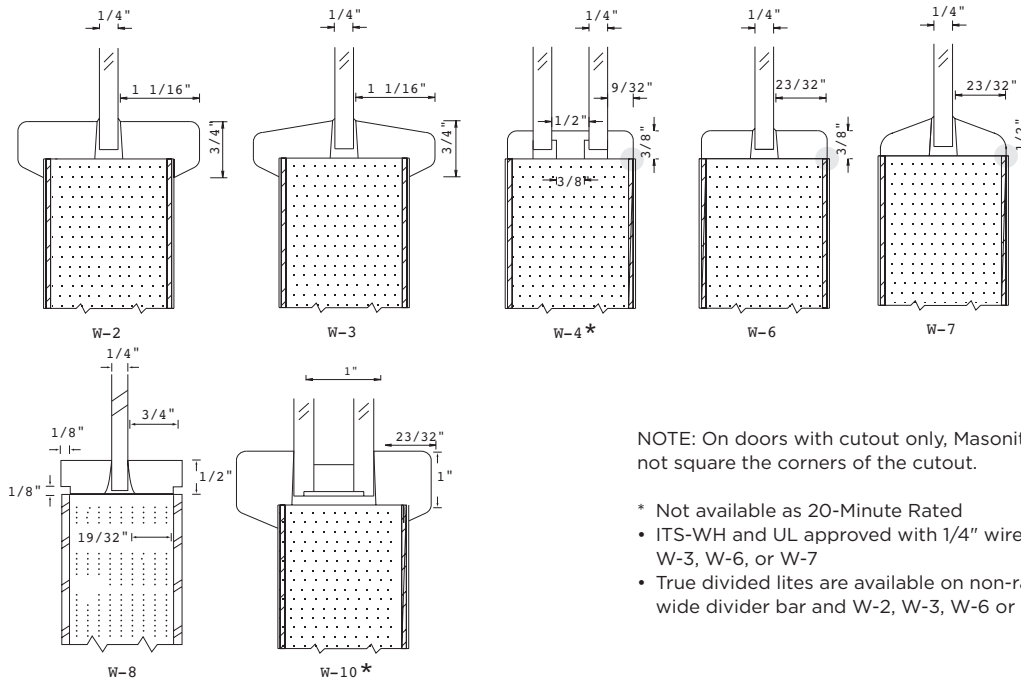
Note: Information listed within this document is specific to doors manufactured at the Marshfield, WI facility per the standards listed on this page.

Standard Lite Mouldings

Lite mouldings are installed on one side and the other side is precut for field installation after glazing. Mouldings are set for 1/4" glass or upon request for different glass thickness. Masonite® Architectural will factory glaze upon request. Lite mouldings are installed on one side and the other side is precut for field installation after glazing.

Wood Lite Kits for Non-Rated and 20-Minute Rated Doors

Glazing compound/caulking must be used when installing glass.

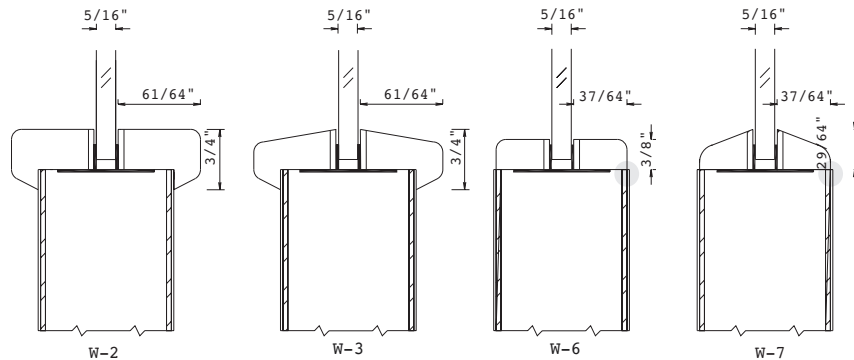


NOTE: On doors with cutout only, Masonite Architectural does not square the corners of the cutout.

- * Not available as 20-Minute Rated
- ITS-WH and UL approved with 1/4" wired glass only and W-2, W-3, W-6, or W-7
- True divided lites are available on non-rated doors using a 1/2" wide divider bar and W-2, W-3, W-6 or W-7 profiles

Wood Fire Trim System for 20-Minute Rated Doors

Fire-Trim lite mouldings are for use with 20-minute positive pressure doors and Structural Composite Lumber core neutral pressure doors.



- Fire-Trim lite mouldings are set for 5/16" FireLite® Plus glass thickness. Masonite Architectural will factory glaze upon request.
- ITS-WH and UL approved with 5/6" FireLite® Plus glass only

Downset may vary due to allowable tolerance deviations in components.

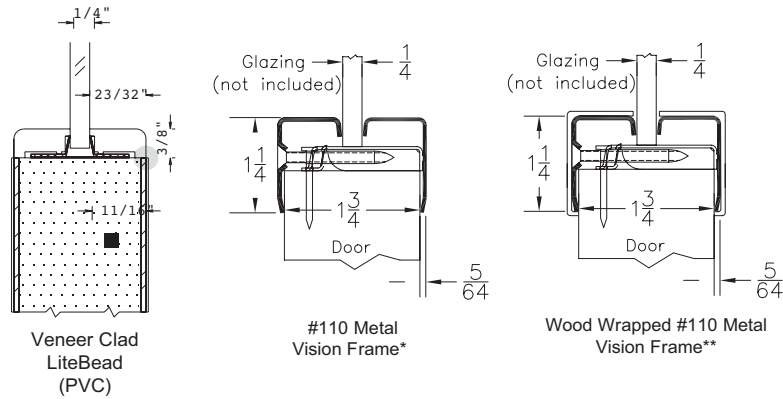
MARSHFIELD-ALGOMA™

Note: Information listed within this document is specific to doors manufactured at the Marshfield, WI facility per the standards listed on this page.

Standard Lite Mouldings

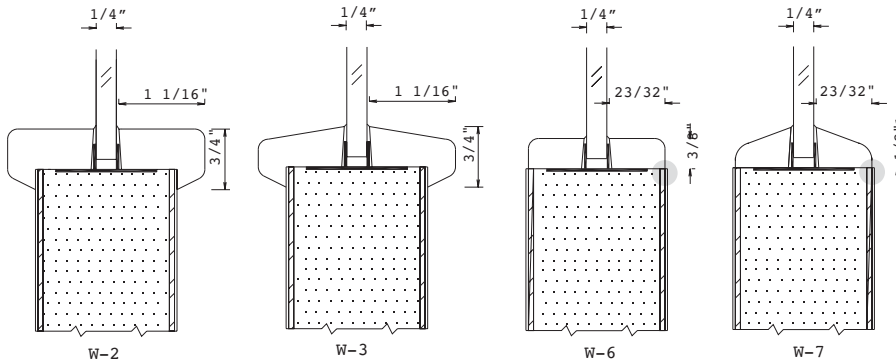
Veneer Clad, Wood Wrapped or Metal Lite Kits for 90, 60, and 45-Minute Rated Doors

Metacaulk caulking required for veneer clad lites over 100 sq. in. (Metacaulk supplied by Masonite® Architectural)



- ITS-WH and UL approved with 1/4" wired glass only
- #117 or #118M Metal Vision Frame available for doors with glass thickness other than 1/4" or doors other than 1-3/4" thick
- Anemostat LO-FP frames available for circle lites

Canada Trim-Lite™ Moulding for 20-Minute Rated Doors Requiring Hose Stream (Caulking required)



- ITS-WH and UL approved with 1/4" wired glass only. ITS-WH and UL approved with 5/6" FireLite® Plus glass only.
- Trim-Lite™ is only required on doors shipping to Canada or any Jurisdiction that requires hose stream testing

Downset may vary due to allowable tolerance deviations in components.